

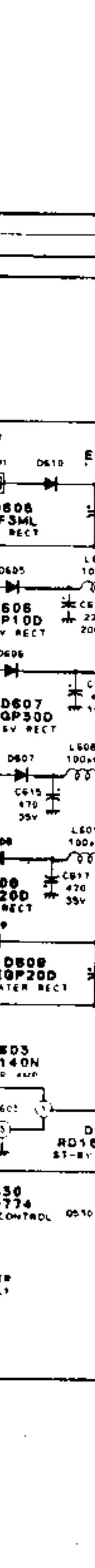
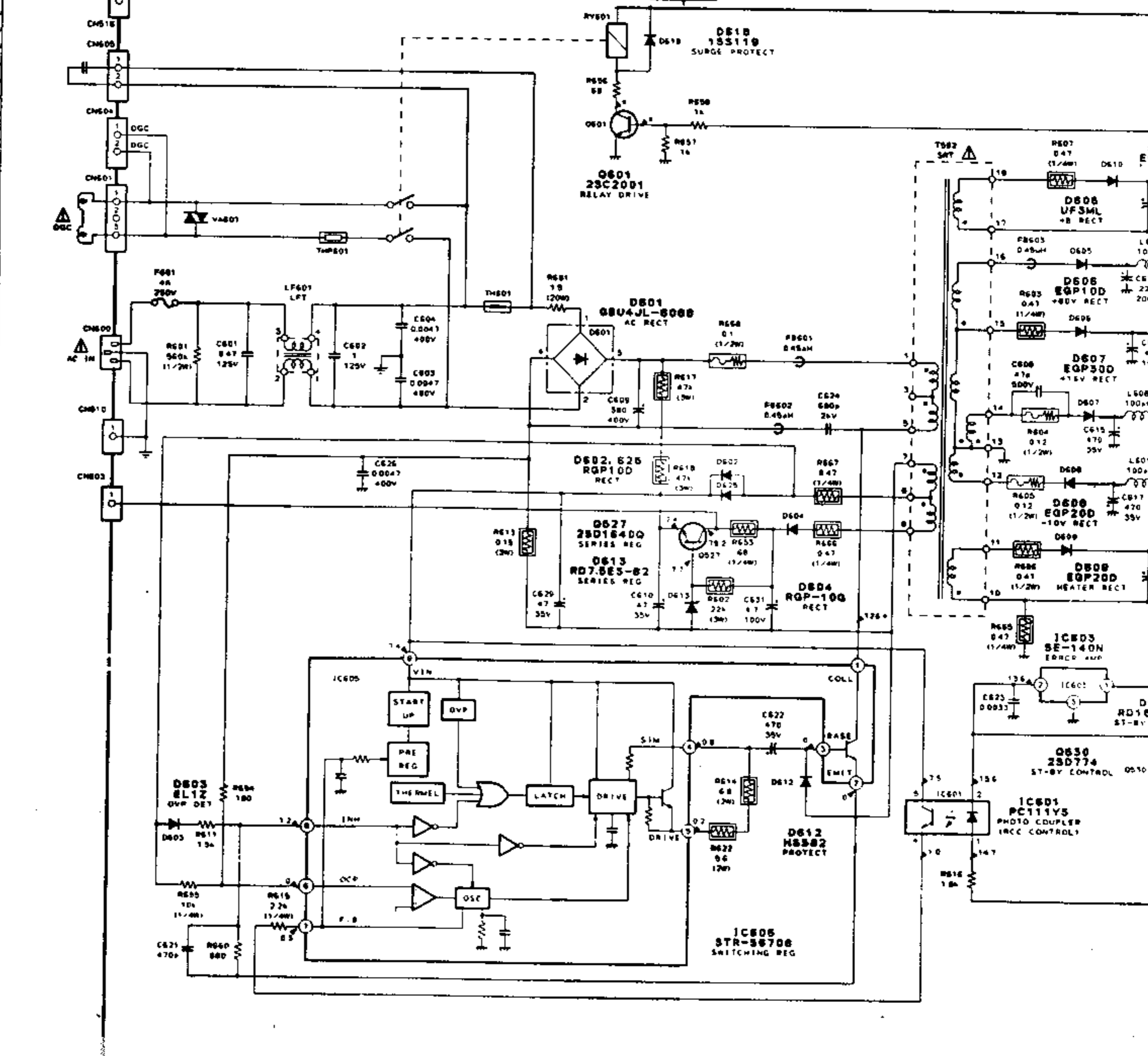
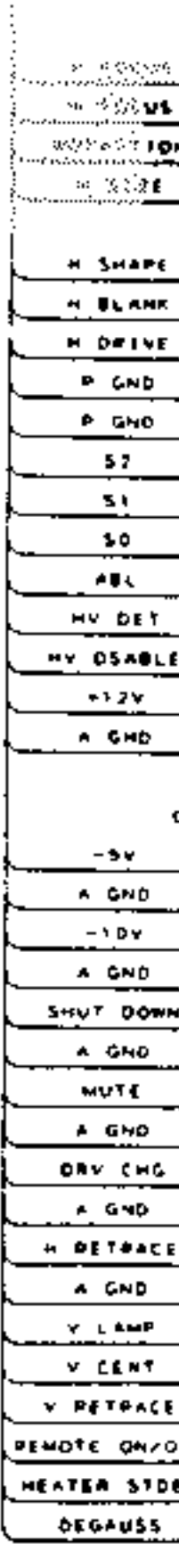
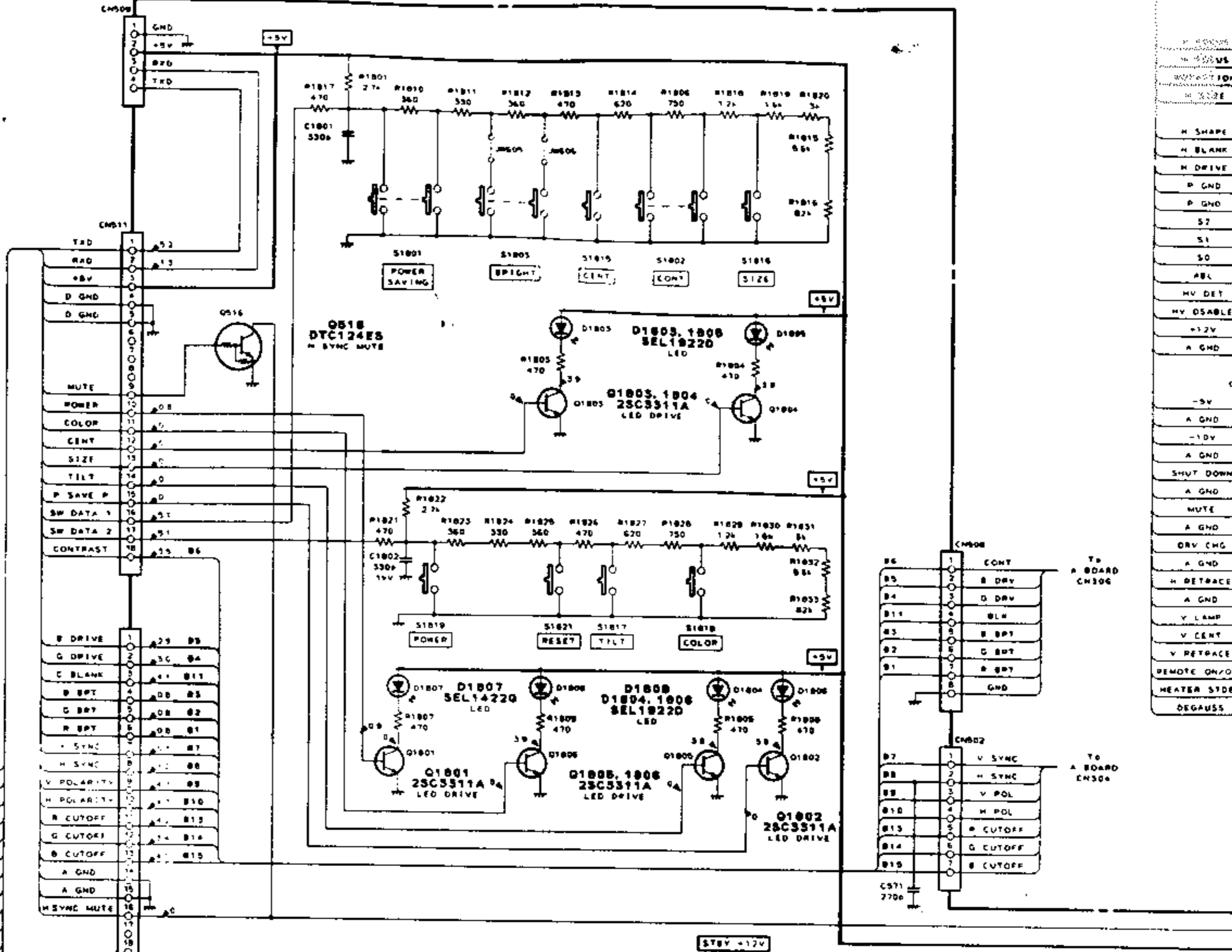
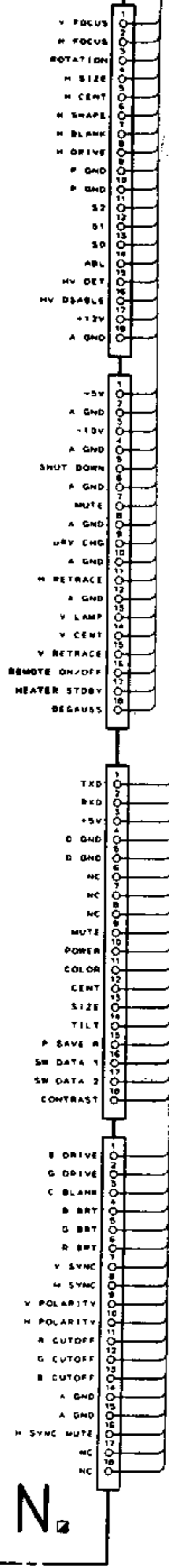
A

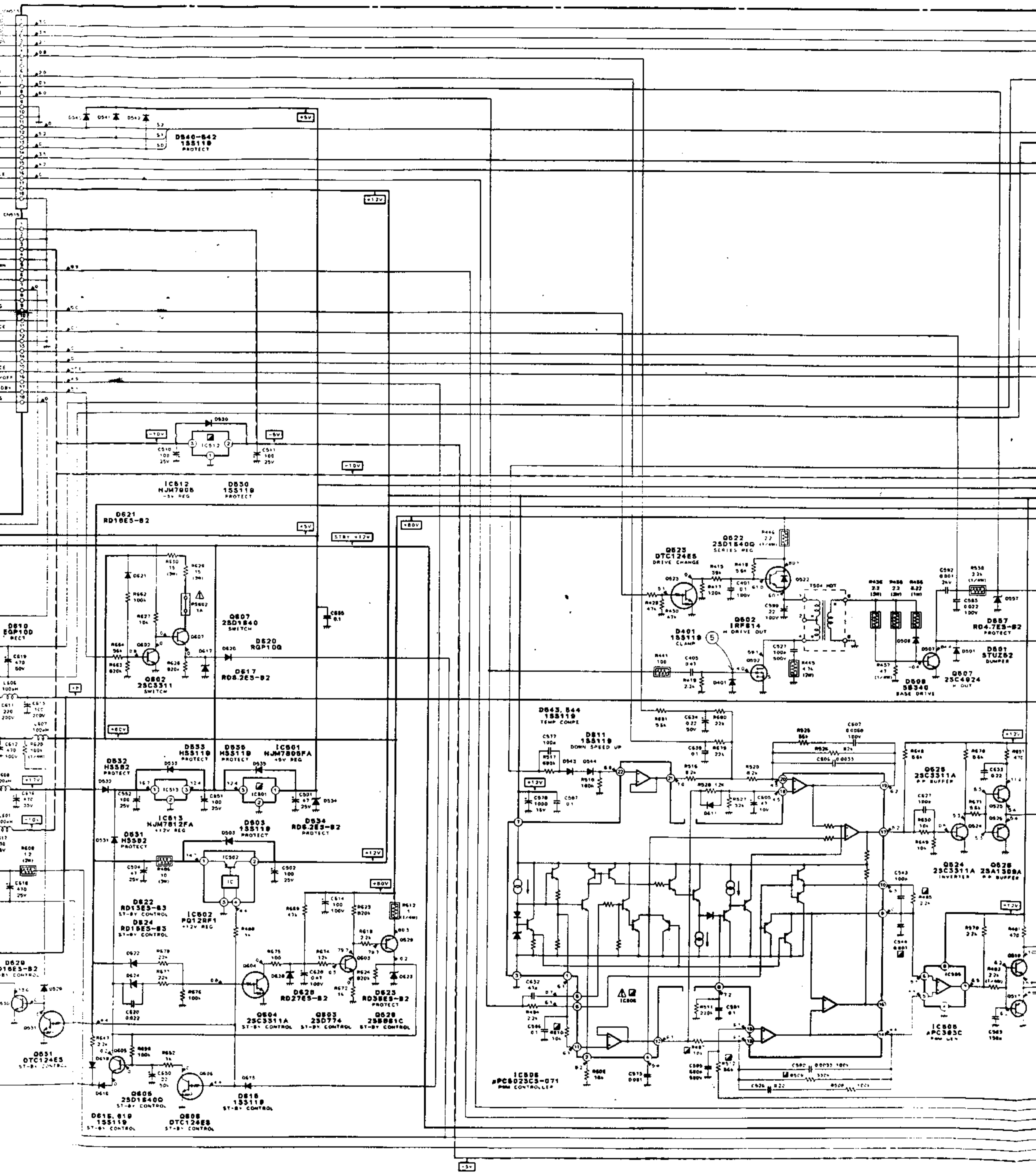
B

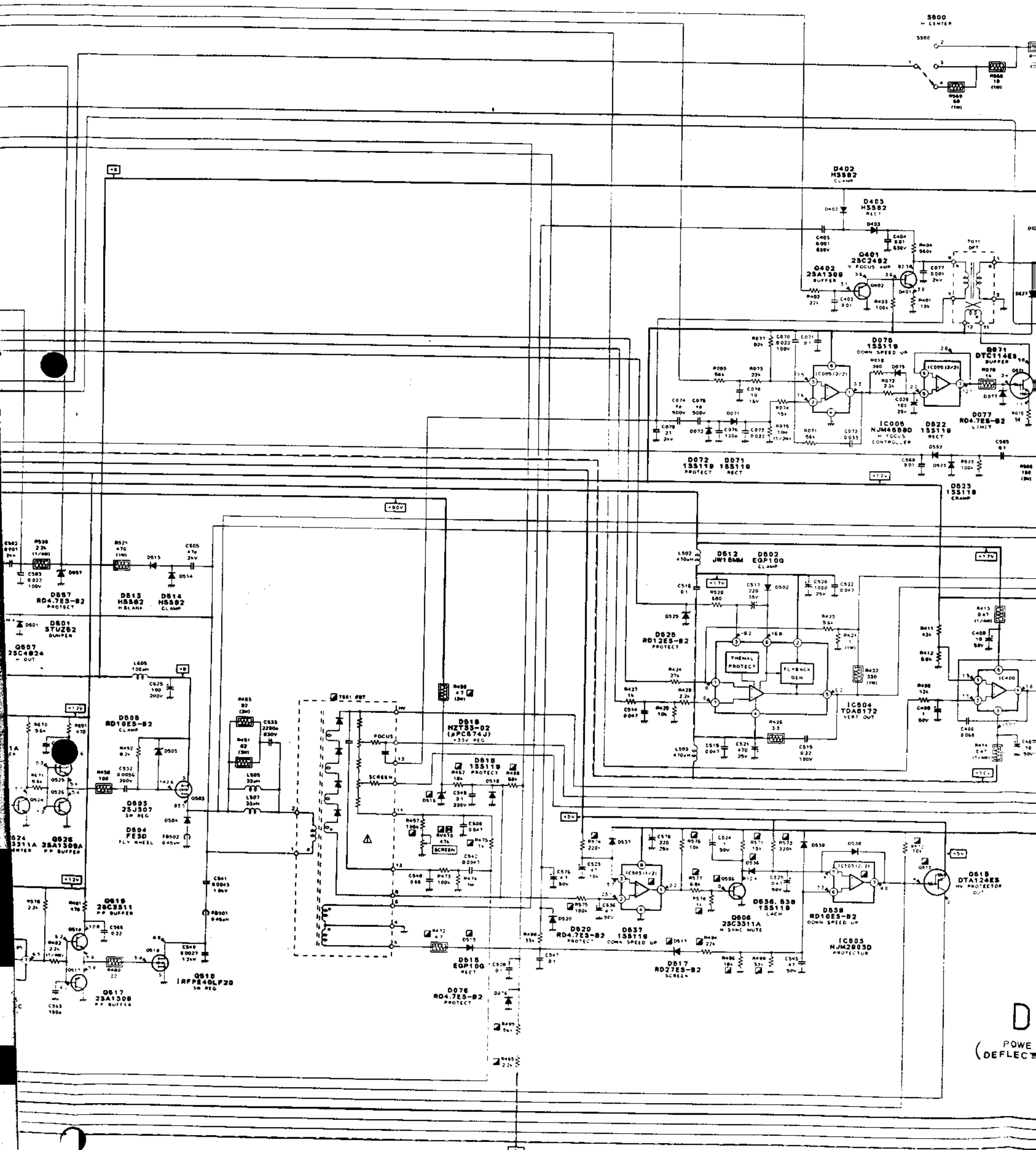
C

D

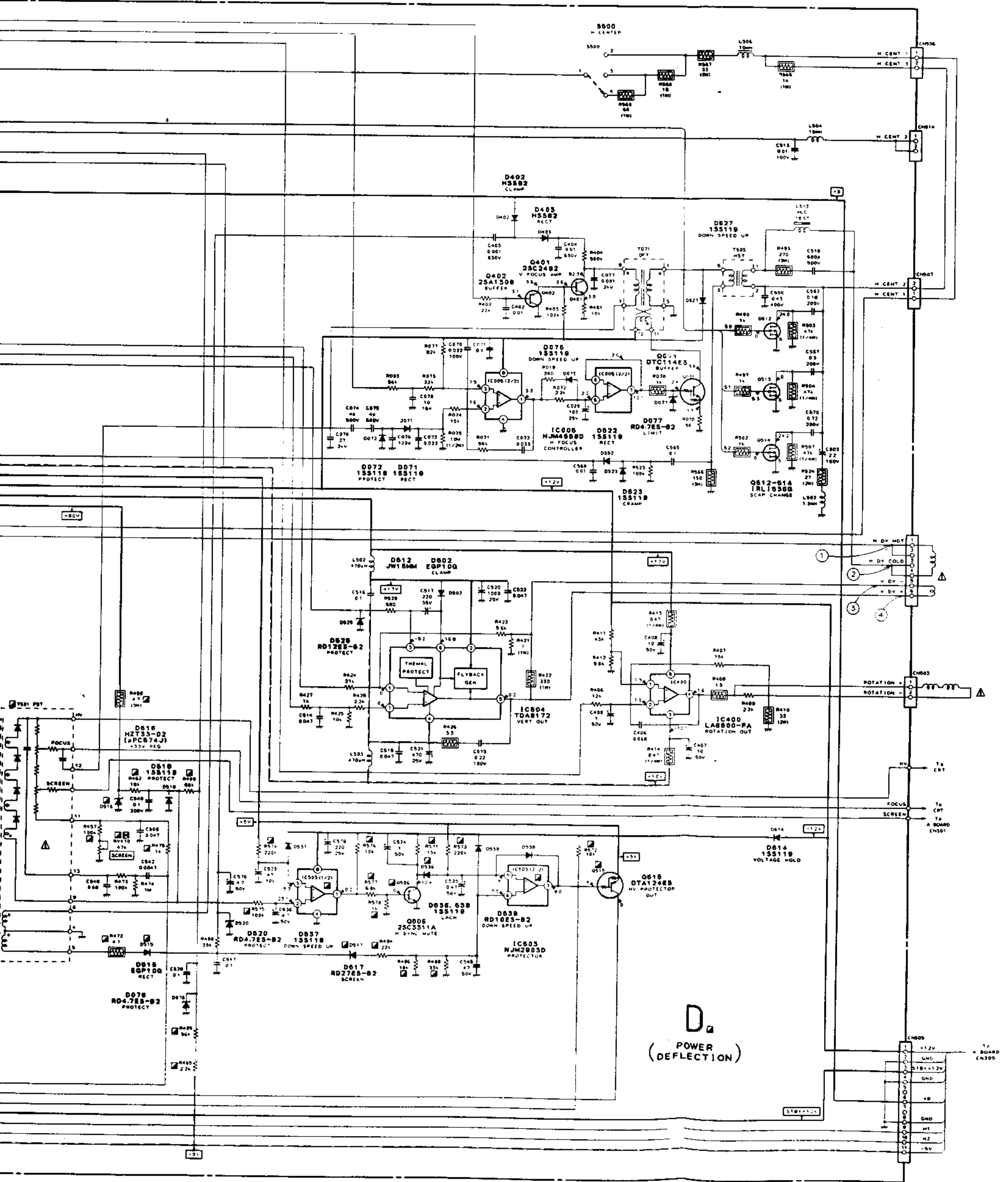
N₂





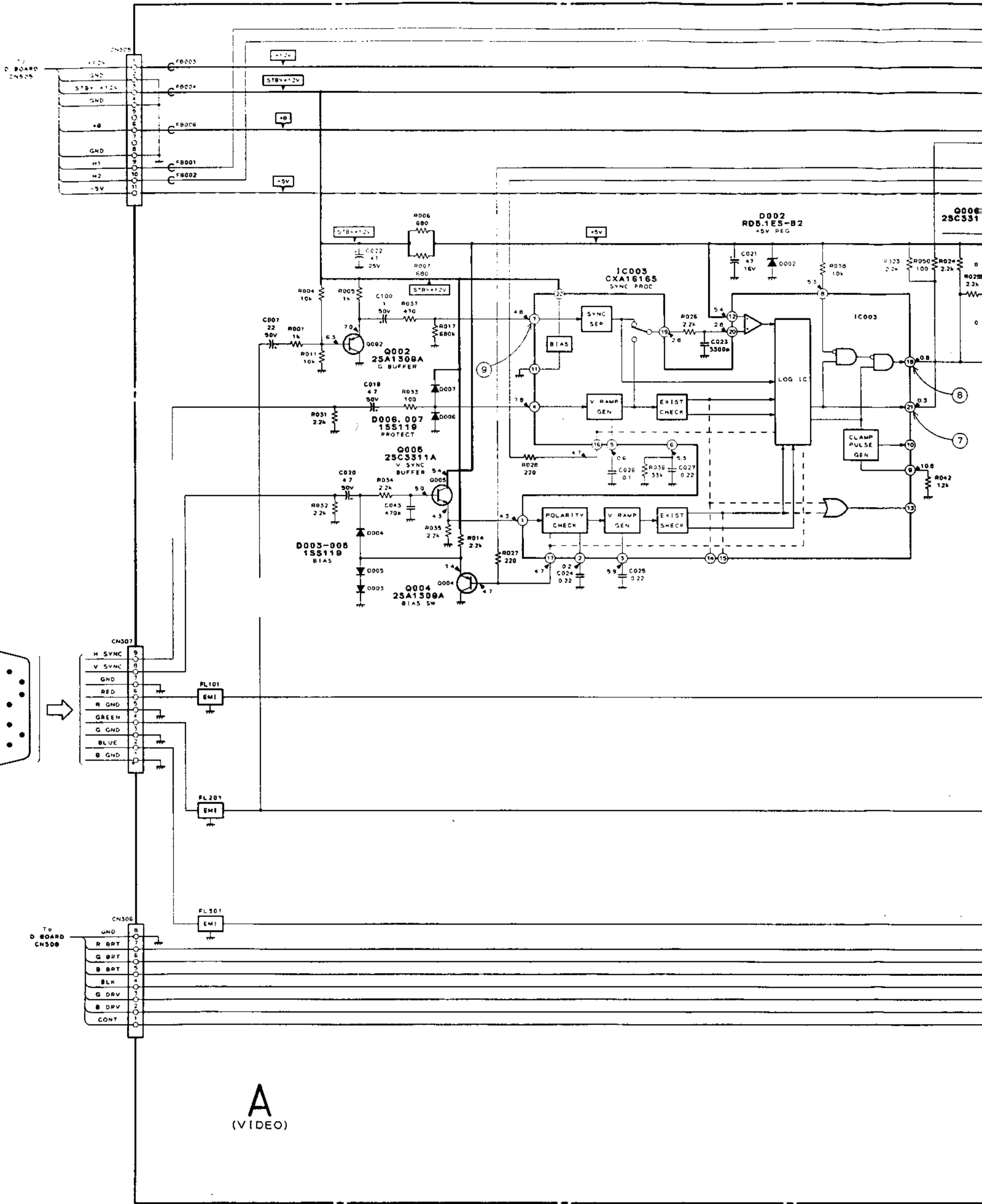


D
POWER
(DEFLECT)

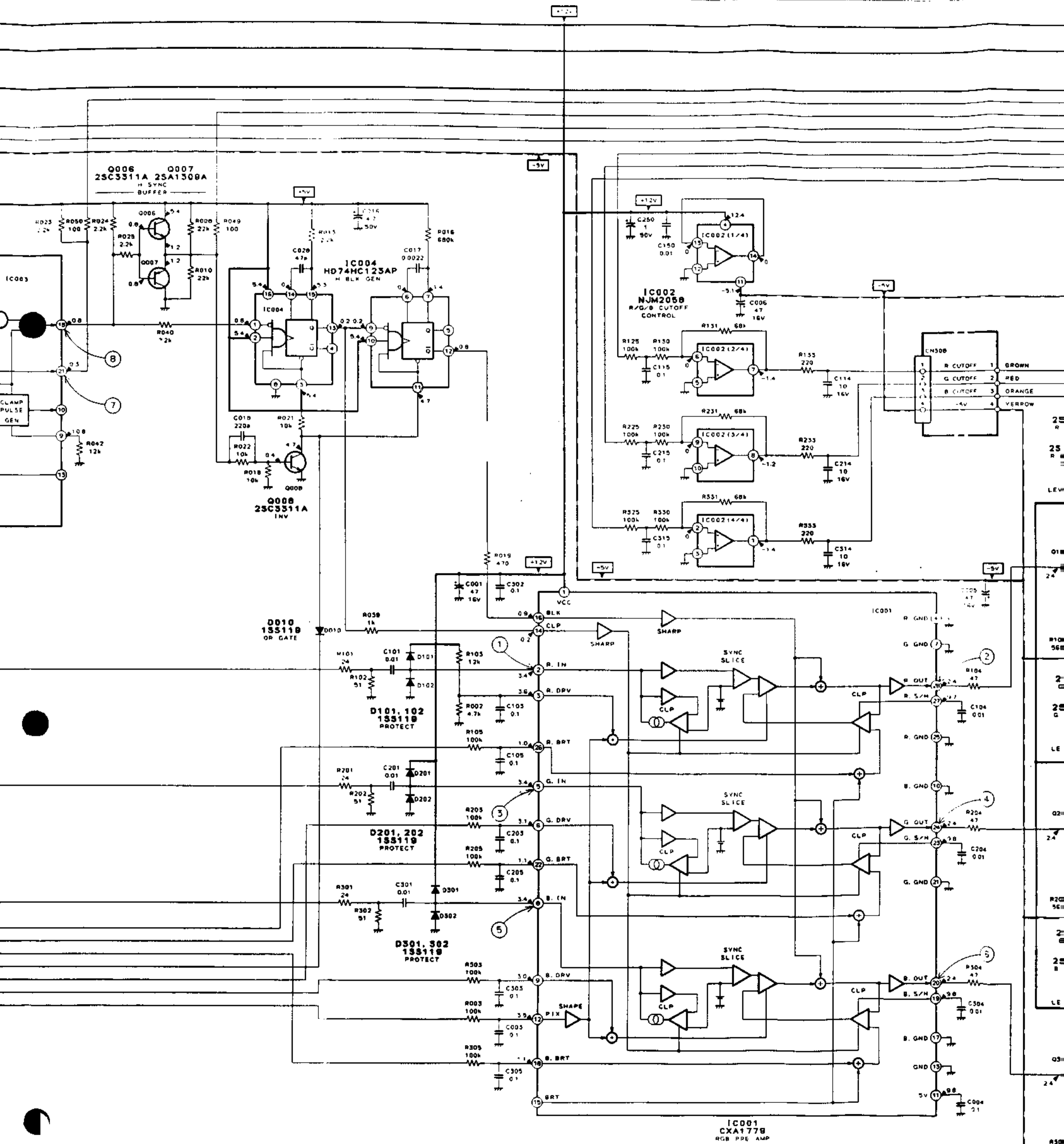


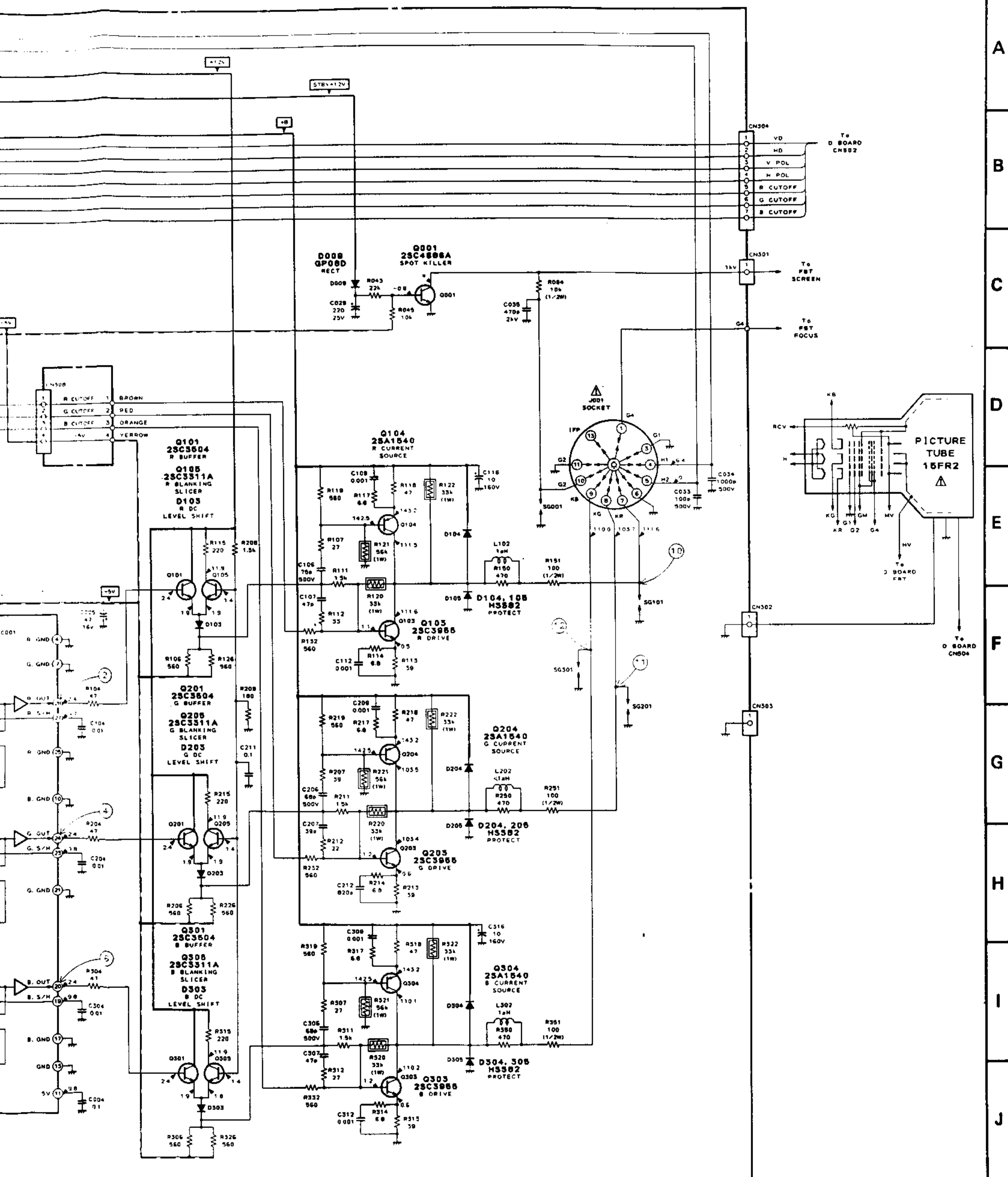
1 2 3 4 5 6 7 8

A
B
C
D
E
F
G
H
I
J



A
(VIDEO)





A
B
C
D
E
F
G
H
I
J