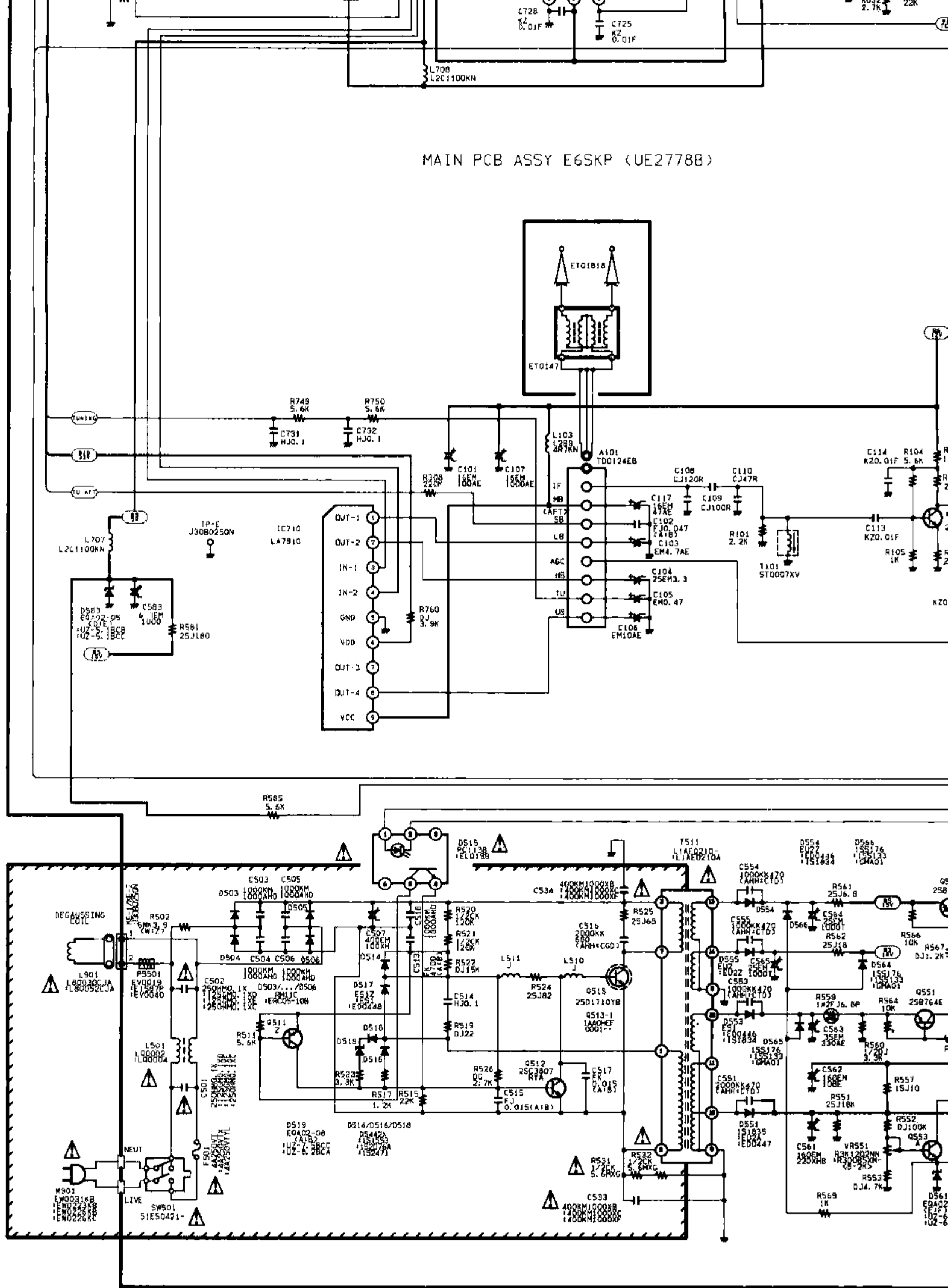


MAIN PCB ASSY E6SKP (UE2778B)



IC710 BAND SWITCH

0.002	1
11.7V	2
3.3V	3
0V	4
-0.001	5
12.2V	6
0.1V	7
-0.004	8
11.8V	8

Q101	
VOLT.	
B	1.2V
C	0.4V
E	6.2V

THE SERVICE PRECAUTION:

The area enclosed by this line (▲) is directly connected with AC mains voltage. When servicing the area, connect an isolating transformer between TV receiver and AC line to eliminate hazard of electric shock.

Q511	
VOLT.	
B	13.5V
C	0.8V
E	13.5V

Q512		
VOLT.	WAVEFORM	
B - 0.1V		4.2Vp-p
C - 0.1V		4.4Vp-p
E 0V	-----	-----

Q513		
VOLT.	WAVEFORM	
B - 0.8V		5.0Vp-p
C 315V		600Vp-p
E 0V	-----	-----

Q553	
VOLT.	
B	6.7V
C	35.5V
E	6.2V

CIRCUIT DIAGRAM NOTICE:

- All resistance value are in ohms, K=1,000, M=1,000.
- All resistance rated wattages are 1/6W unless other.
- Excepting electrolytic capacitors, all capacitance val expressed in μ F and more than 1 are pF.
- All capacitance rated voltages are 50V unless other.
- All inductance values are in μ H.
- Voltage readings taken with taken with a "VTVM" an chassis ground. Voltage readings taken by using a with all controls at normal position. Some voltages strength.
- Waveforms were taken with colour bar and control picture. Waveforms were taken by using a wide bar low capacity probe.
- This circuit diagram covers a basic or representative may be some components or partial circuit difference chassis and the circuit diagram.

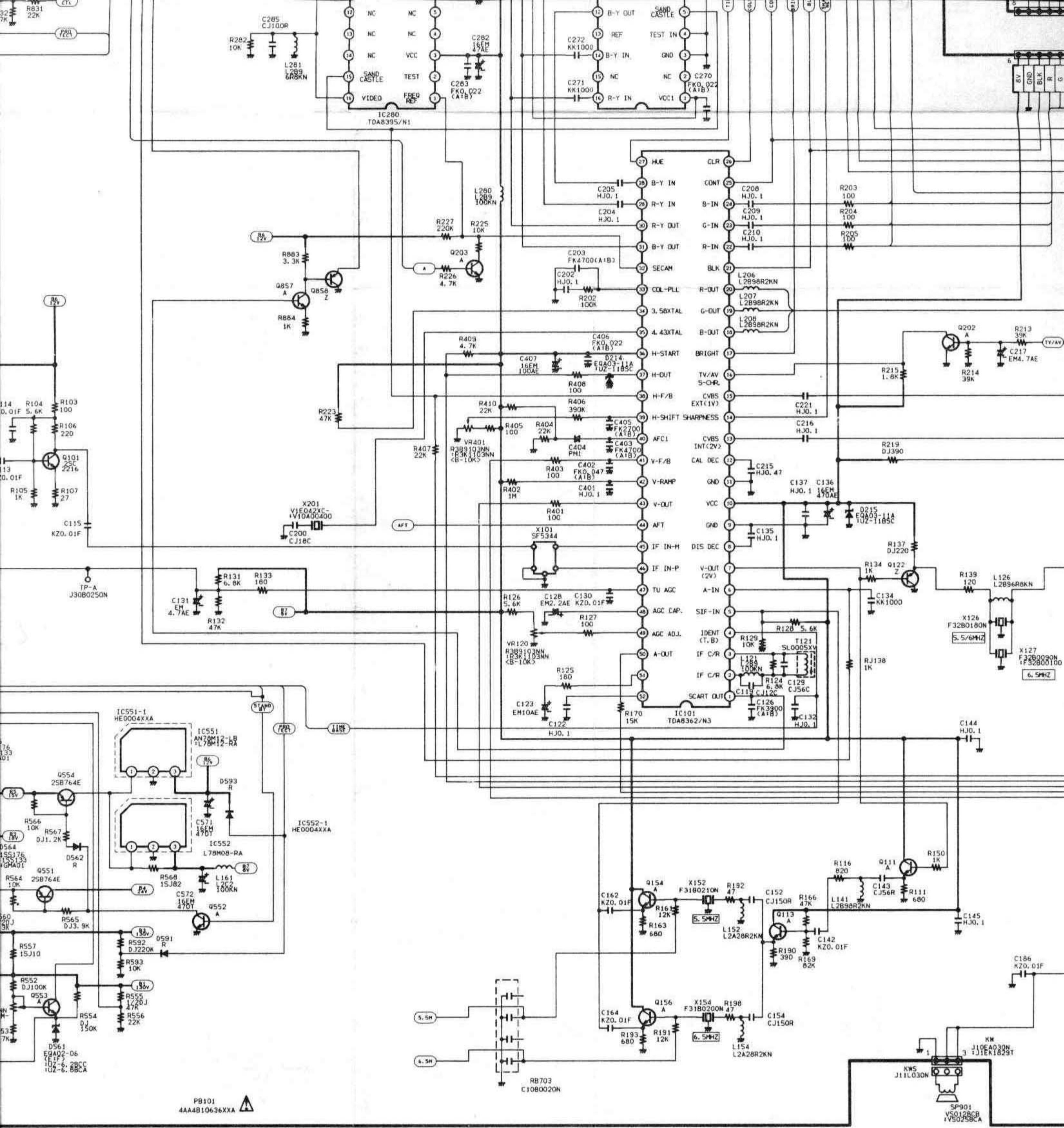
SANYO

COLOUR TELEVISION
A7-A CHASSIS SERIES

SERVICE REF. NO. C14EA13EX - 00
C14EA13EX - 01

PRODUCT SAFETY NOTICE:

Product safety should be considered when a component replacement is made in any area of a receiver. Components indicated by a mark ▲ in this circuit diagram show components whose values have special significance to product safety. It is particularly recommended that only parts specified on the part service manual be used for components replacement pointed out by the mark.



Q203	
VOLT.	
B	0.02V
C	1.6V
E	0.01V

Q202	
VOLT.	
B	0.6V
C	0.07V
E	- V

Q154	
VOLT.	
B	4.7V
C	7.8V
E	4.0V

Q156	
VOLT.	
B	4.7V
C	7.8V
E	4.1V

Q122	
VOLT.	
B	3.1
C	33.1
E	2.4

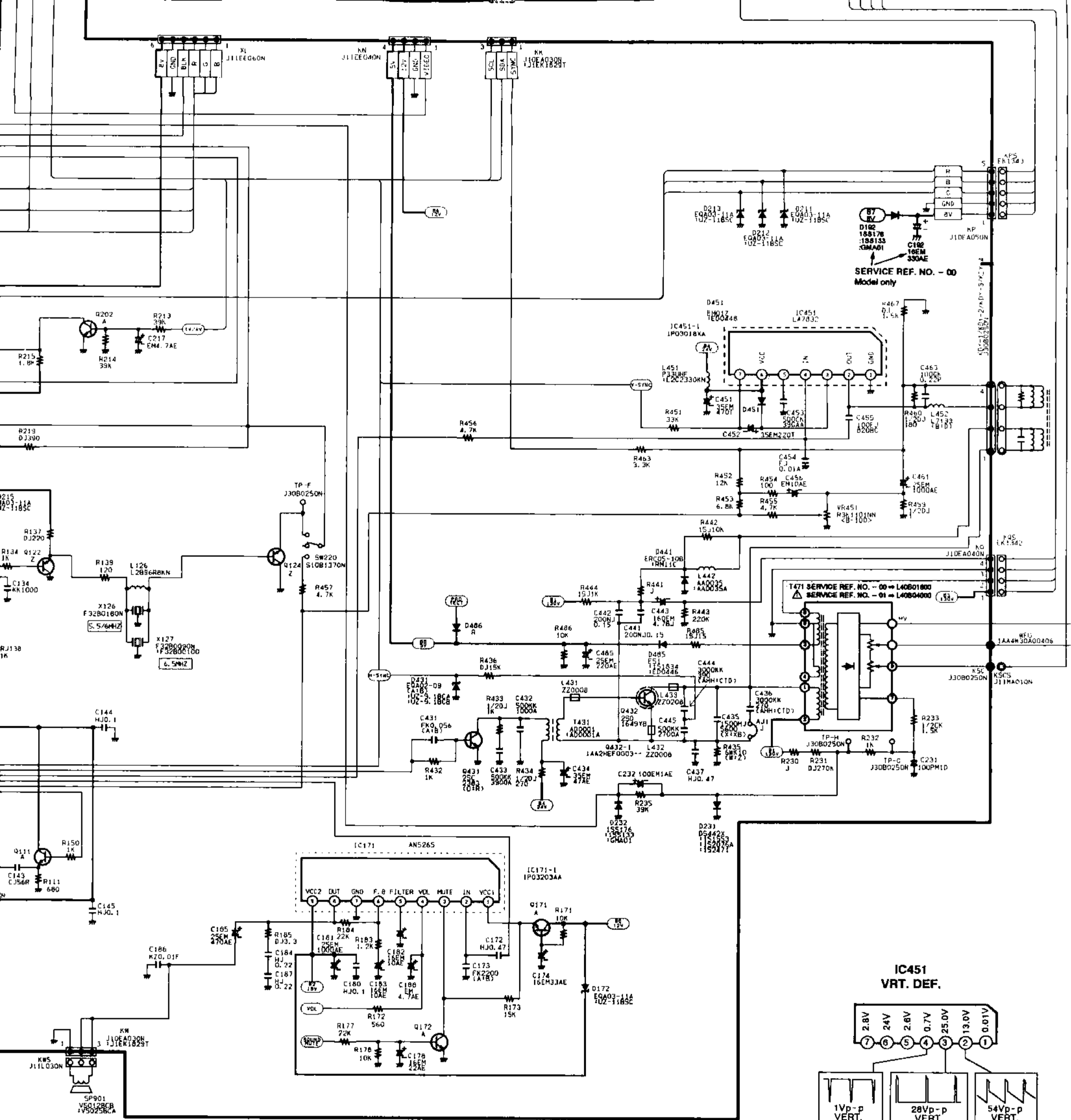
9. Expression of capacitance and resistance in circuit diagram.

Capacitance(Example)
1000 C M 2000 D
 — Characteristic
 — Capacitance value(220pF)
 — Allowable error (± 20%)
 — Kind (Ceramic)
 — Rated voltage (1.000V)

Resistance(Example)
1/2 N J 1.2
 — Resistance value(1.2 Ω)
 — Allowable error (± 5%)
 — Kind(M.carbon)
 — Rated wattage(1/2W)

- J= ± 5%
- K= ± 10%
- M= ± 20%
- T.A.U.D:
- Electrolytic
- C.K.B.Ceramic
- F: Mylar film
- M.N: Polypropylene
- Z: Metalized paper
- D: Carbon
- N: Metaliz carbon
- S: Oxide metalized
- W: Wire winding
- C: Solid

000, M=1.000.000.
 unless otherwise noted.
 capacitance values of less than 1 are pF.
 unless otherwise noted.
 when a "VTVM" are from point indicated
 when by using a colour bar signal are
 some voltages may vary with signal
 and controls adjusted for normal
 using a wide band oscilloscope and a
 representative chassis only. There
 circuit differences between the actual



Q122	VOLT.
B	3.1V.
C	33.1V
E	2.4V.

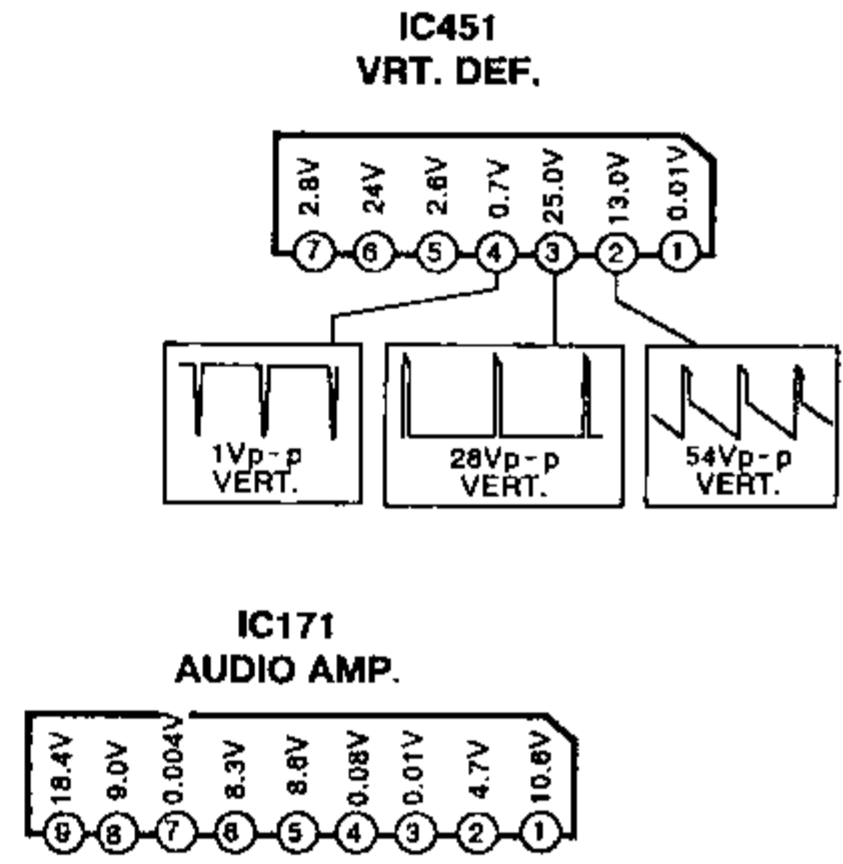
Q124	VOLT.
B	2.3V
C	0.007V
E	3.0V

Q113	VOLT.
B	4.6V
C	7.8V
E	3.3V

Q111	VOLT.
B	3.1V
C	7.8V
E	2.4V

Q172	VOLT.
B	0.6V
C	0.01V
E	-0.001V

Q171	VOLT.
B	11.3V
C	11.8V
E	10.6V



TRANSISTOR, DIODE AND INTEGRATED CIRCUIT TERMINAL GUIDE

C: COLLECTOR
B: BASE
E: EMITTER

A: ANODE
K: KATHODE

PARTICULAR PARTS SYMBOL

FUSIBLE

NON POLE ELECTRIC CAPACITOR

POSISTER

- Parts specified with " X " are not installed in this model.
 - Parts specified with " J " are just jumper wires.
 - Difference between Service Ref. No. "C14EA13EX-01"
- | | Service Ref. No. - 00 | Service Ref. No. - 01 |
|----------|-----------------------|-----------------------|
| T471 | L40B01800 | L40B04000 |
| C192 | 16EM 330AE | NOT USED |
| D192 | 1SS178, 1SS133, GMA01 | NOT USED |
| CRT UNIT | UE2780 | 1AA0B10E1 |

Teletext Decoder is an optional extra.

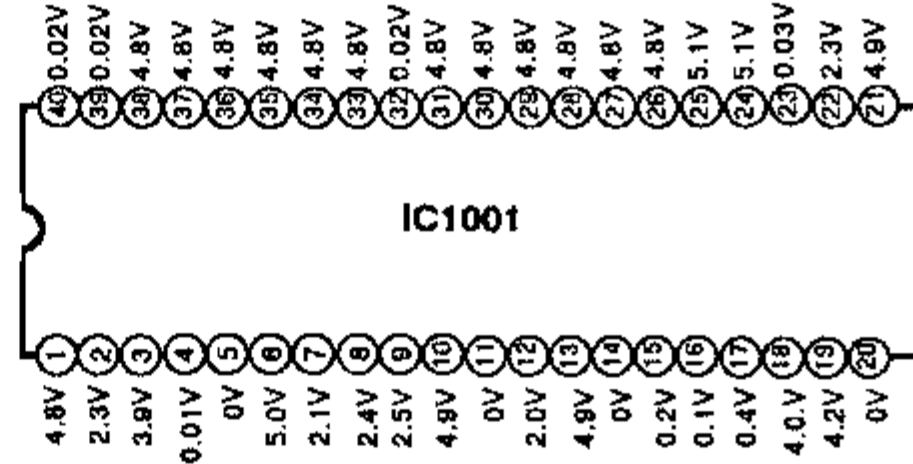
Note: Voltage rating in decoder unit taken using teletext signal.

Q1001	
VOLT.	
B	0.3V
C	4.9V
E	0.5V

Q1003	
VOLT.	
B	1.5V
C	4.9V
E	1.1V

Q1002	
VOLT.	
B	0.2V
C	4.9V
E	0.5V

Q1004	
VOLT.	
B	4.2V
C	4.9V
E	3.6V



Q1006	
VOLT.	
B	0.6V
C	0.02V
E	-V

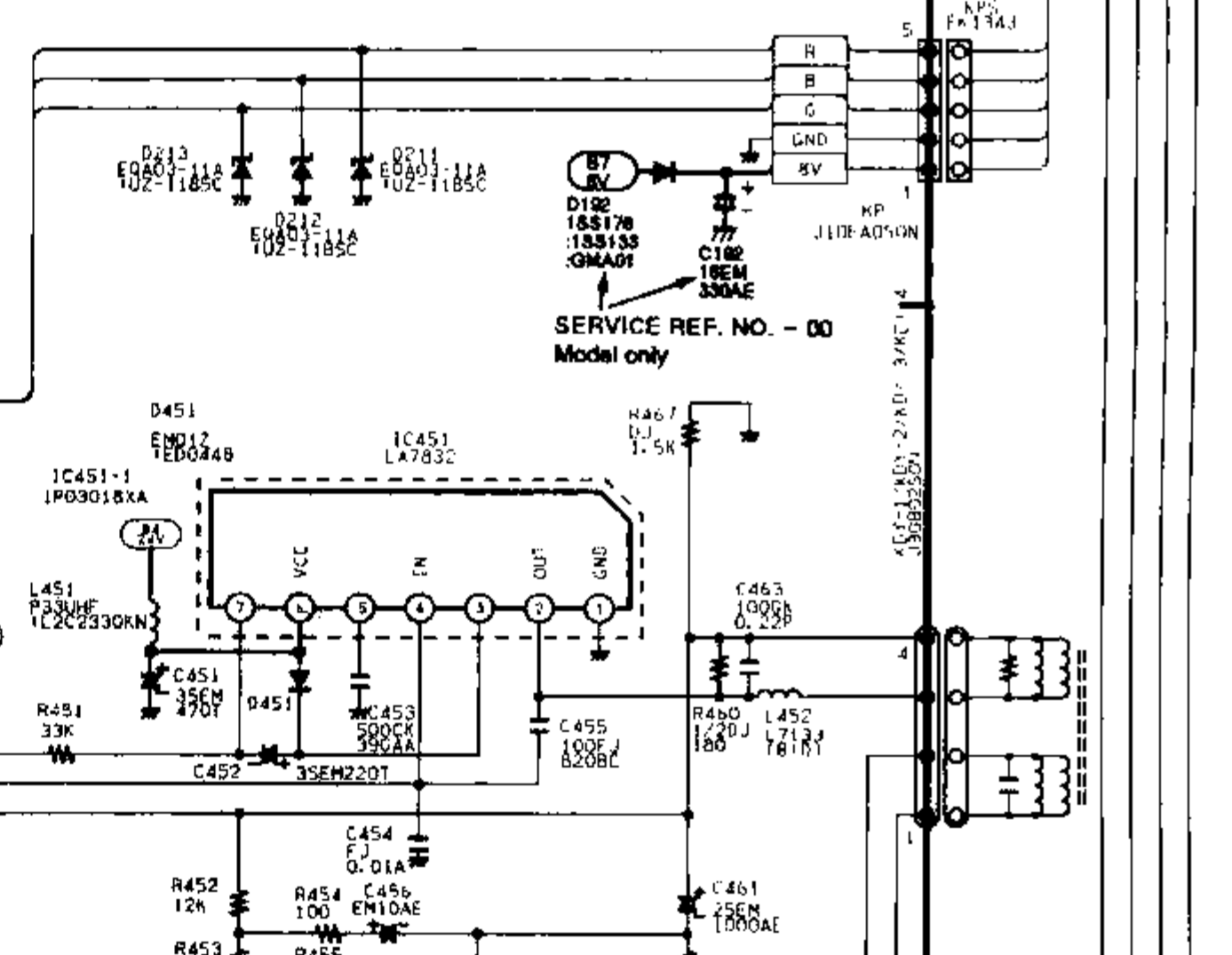
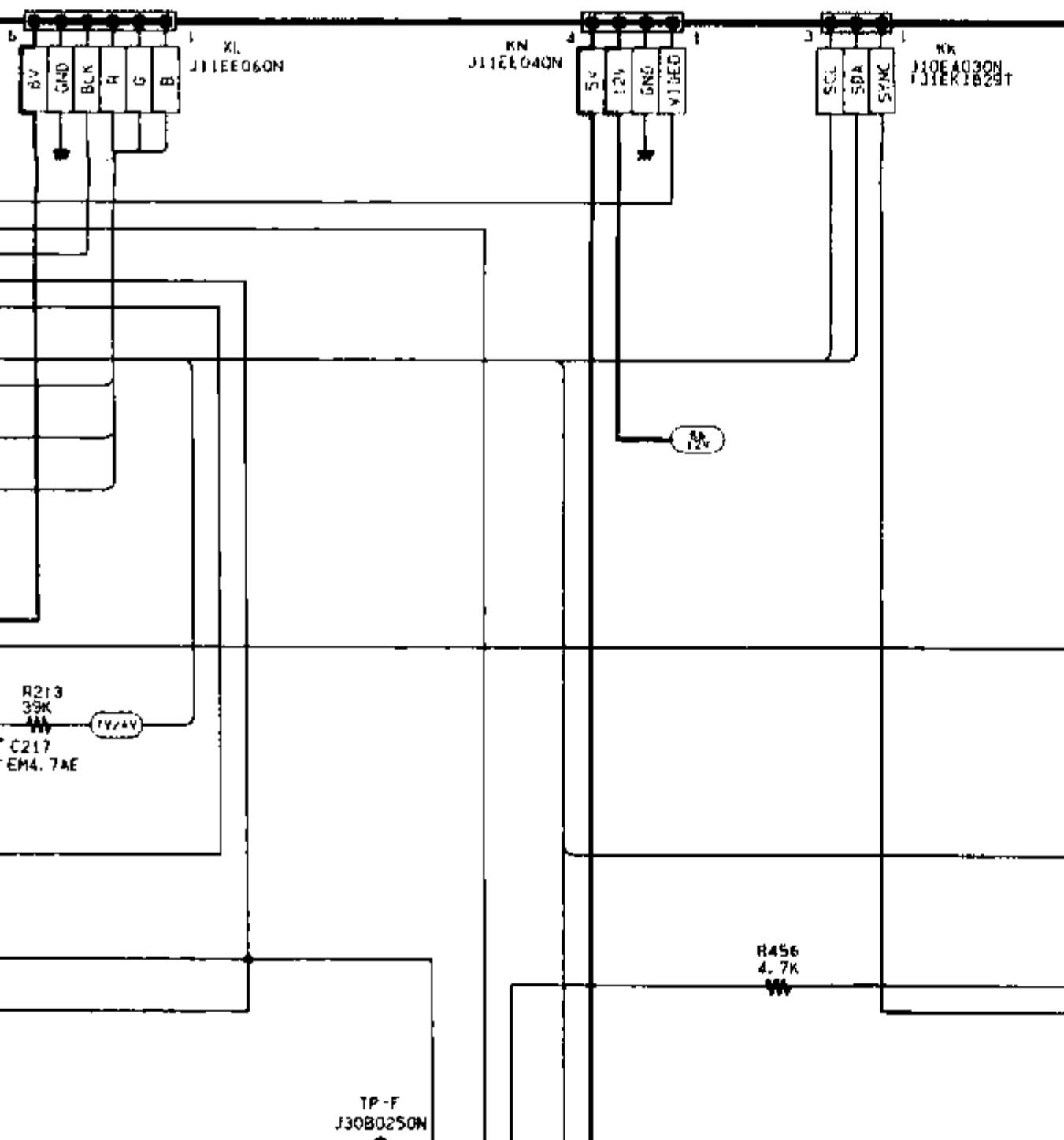
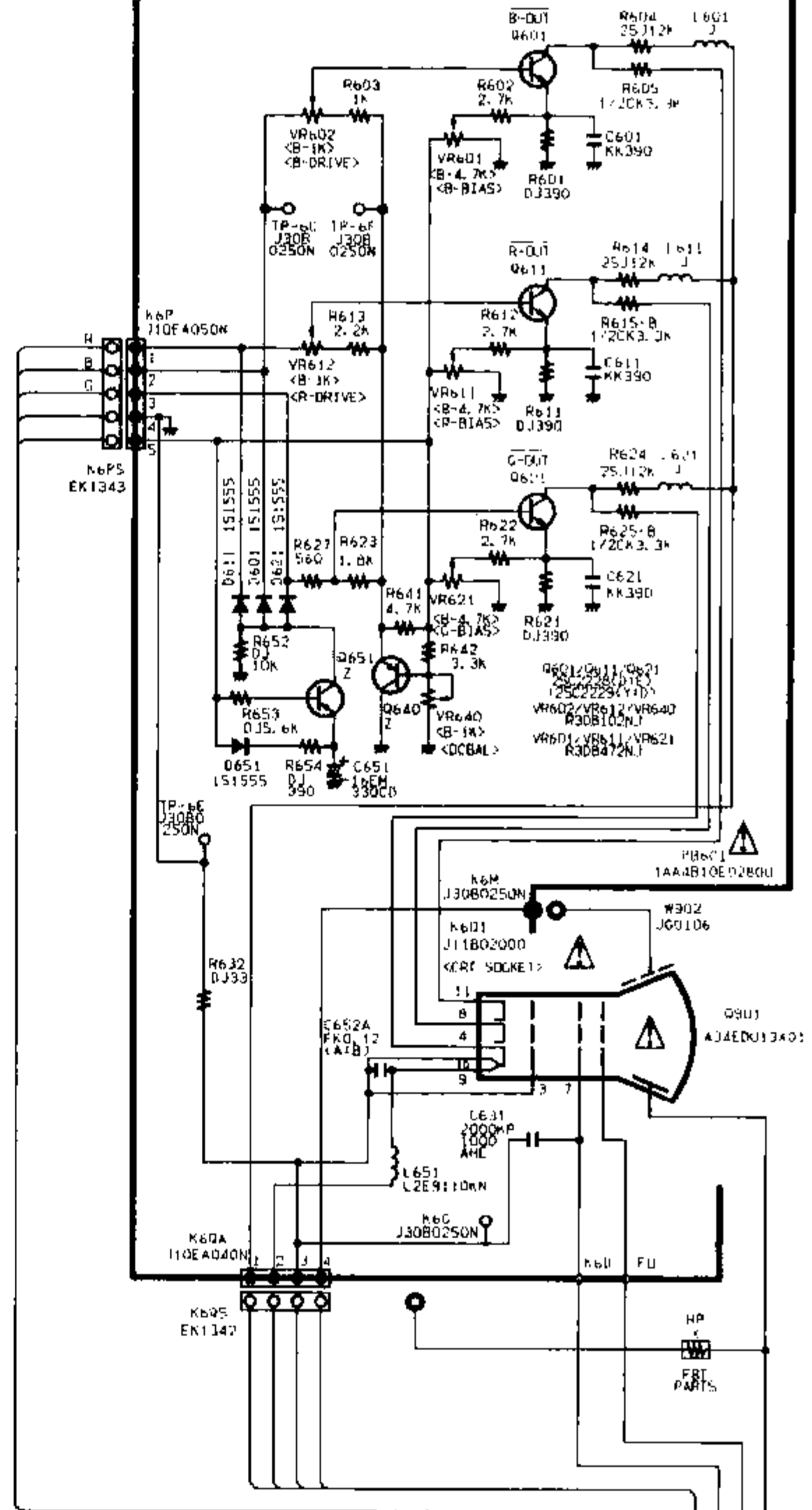
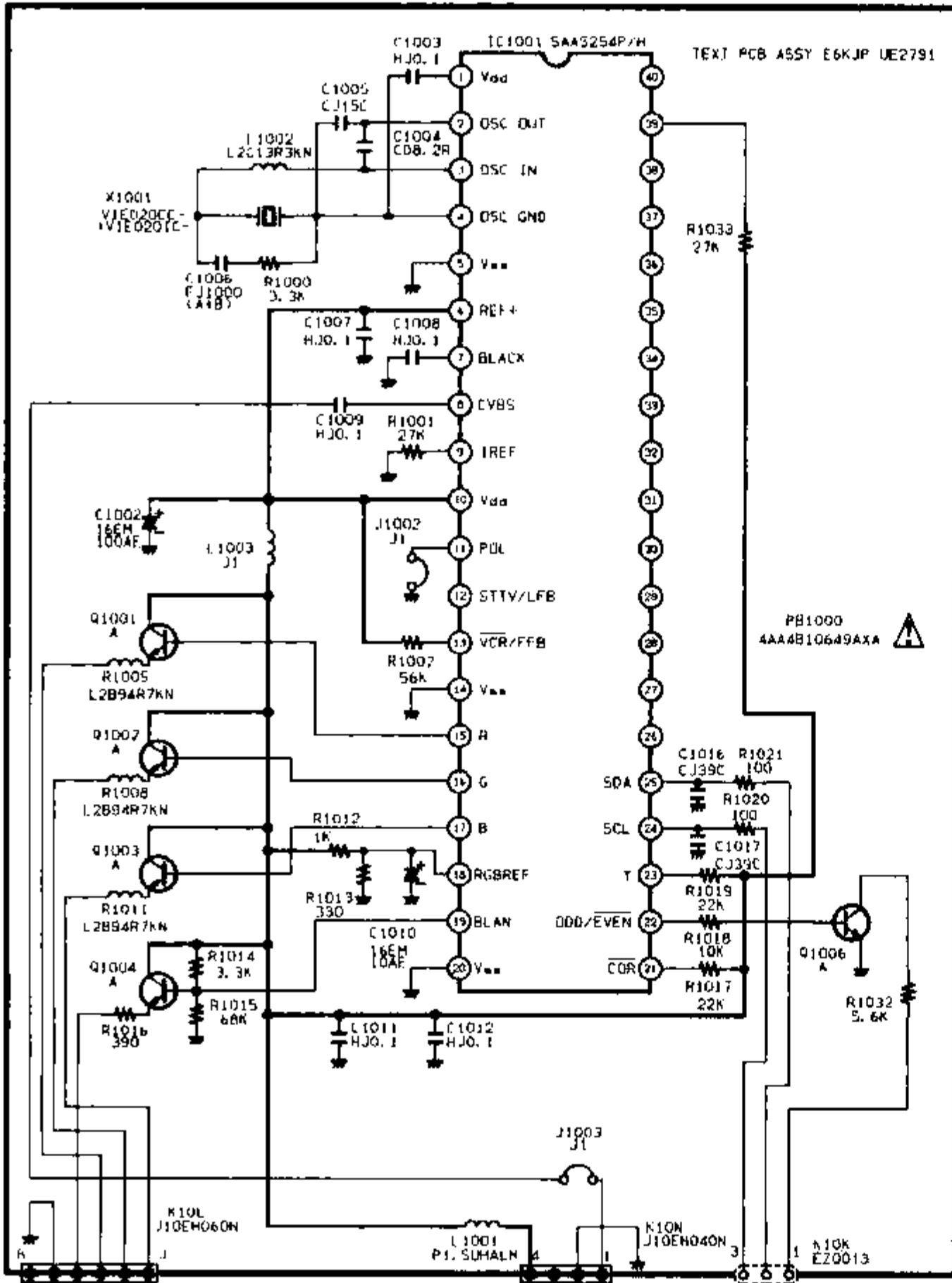
NOTES:
LIST OF REPLACEABLE PARTS.

DIODE	
SANYO CODE	DIODE
R 70D00019	1S1555, 1S2473, 1S2076, D5A42, 1N4148

NPN TR					
SANYO CODE	Z5C536	Z5C945A	Z5C1815	Z5C1740	Z5C17405
A 70T00214	E, F, G	P, Q, R	Q, Y, G	Q, R, S	Q, R, S

PNP TR					
SANYO CODE	Z5A608	Z5A564A	Z5A1015	Z5A933	Z5A9335
7 70T00418	E, F	Q, R	Q, Y, G	Q, R	Q, R

SERVICE REF. NO. - 00 ⇒ CRT PCB ASSY E6K2P UE2781
SERVICE REF. NO. - 01 ⇒ ASSY, PWB, CRT E6PKH 1A00B10E14800

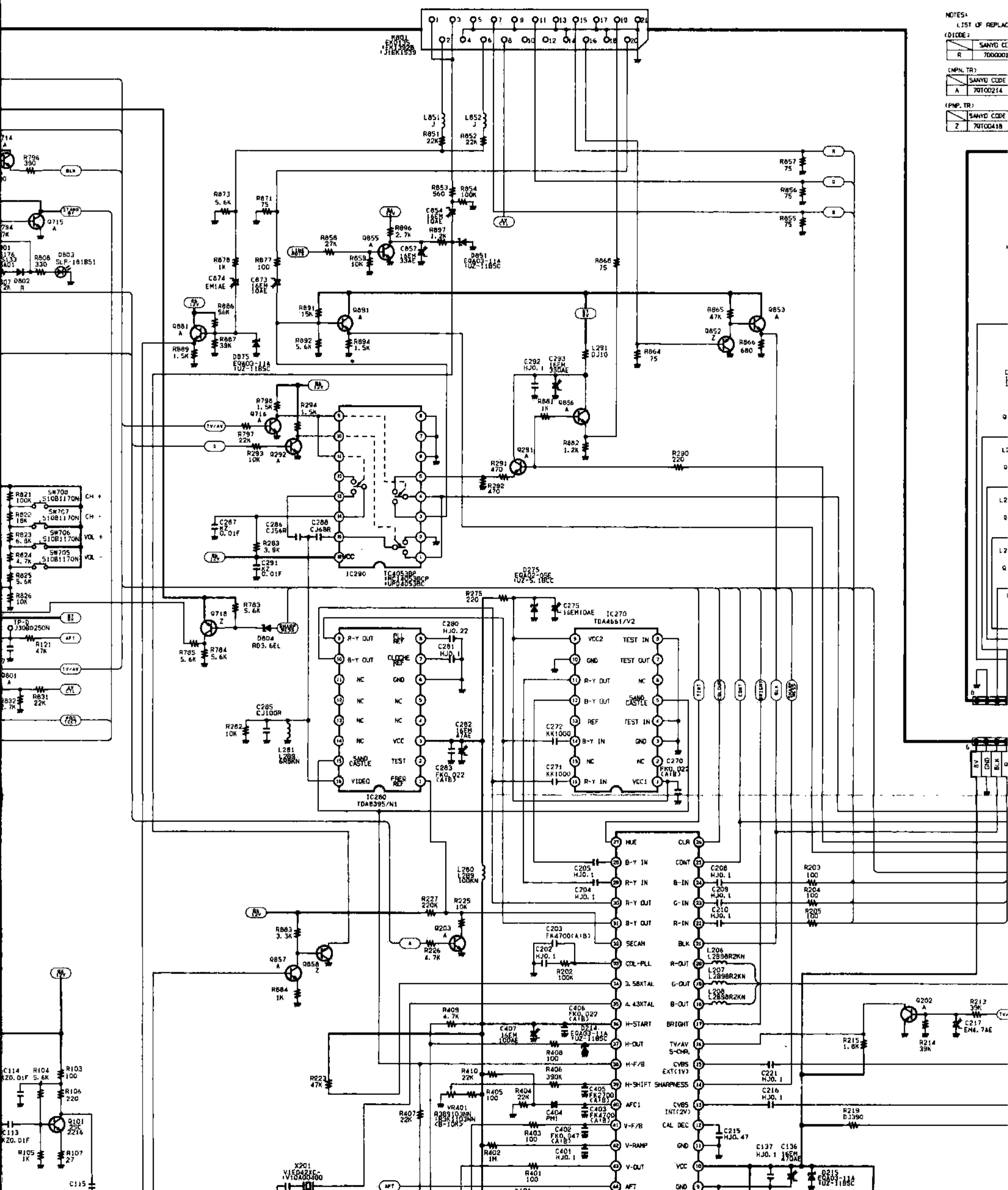


SWITCH

IC280
SECAM

IC270
1H DELAY

8	0.01V	1.4V	9	4.1V	4.9V	9	0.008V
7	0.01	1.4V	10	3.0V	0.01V	10	0.7V
6	0.01	1.3V	11	0.014V	3.1V	11	0.7V
5	1.1V	1.2V	12	0.07V	3.1V	12	0.8V
4	1.1V	1.1V	13	- V	-	13	0.01V
3	1.4V	1.1V	14	7.7V	1.3V	14	0.005V
2	0.003V	0.8V	15	2.1V	1.2V	15	-
1	1.1V	0.007V	16	1.8V	1.3V	16	4.8V



NOTES:
 LIST OF REPLACEMENT PARTS
 (CODE)
 SANYO CODE
 R 7000001
 (M.P. TR)
 SANYO CODE
 A 70100214
 (M.P. TR)
 SANYO CODE
 Z 70100418

6
LT.
V
8V
4V

IC290
TV/AV SWITCH

0.07V	9	6	0.01V
11.8V	10	7	0.01
0.07V	11	8	0.01
11.8V	12	5	1.1V
11.8V	13	4	1.1V
11.8V	14	3	1.4V
1.1V	15	2	0.003V
11.8V	16	1	1.1V

IC280
SECAM

1.4V	8	8	4.1V
1.4V	10	7	3.0V
1.3V	11	6	0.014V
1.2V	12	5	0.07V
1.1V	13	4	- V
1.1V	14	3	7.7V
0.8V	15	2	1.1V
0.007V	16	1	1.6V

IC270
1H DELAY

4.9V	8	8	0.006V
0.01V	10	7	0.7V
3.1V	11	6	0.7V
3.1V	12	5	0.8V
-	13	4	0.01V
1.3V	14	3	0.005V
1.2V	15	2	-
1.3V	16	1	4.9V

